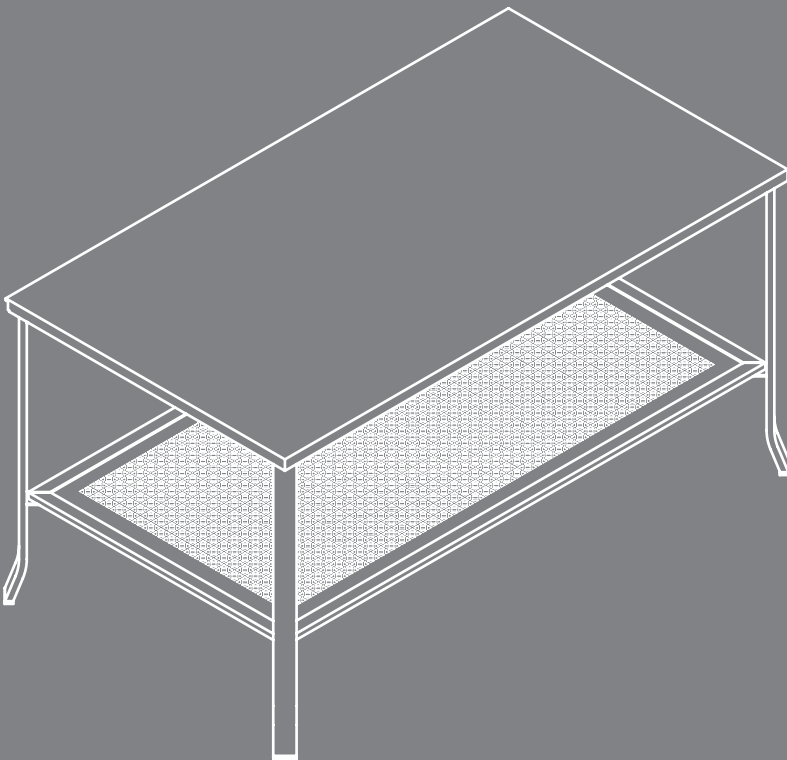


[www.teknikoffice.co.uk](http://www.teknikoffice.co.uk)

**Teknik**



Guaranteed to **hold**  
other **beverages**, too.

# Coffee Table

City Centre Collection | **Model 5425852**

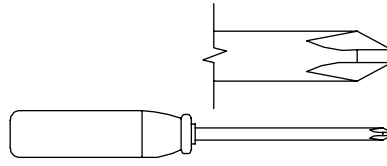
**NOTE:** THIS INSTRUCTION  
BOOKLET CONTAINS **IMPORTANT**  
SAFETY INFORMATION.

PLEASE READ AND KEEP FOR  
FUTURE REFERENCE.

# Table of Contents

# Assembly Tools Required

|                         |   |
|-------------------------|---|
| Part Identification     | 2 |
| Hardware Identification | 2 |
| Assembly Steps          | 3 |
| Safety                  | 4 |

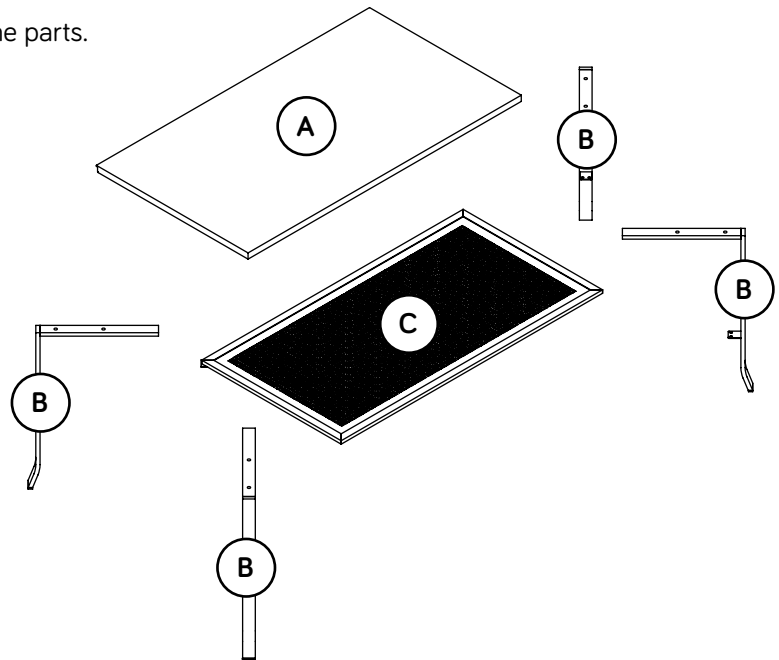


No. 2 Phillips Screwdriver  
Tip Shown Actual Size

## Part Identification

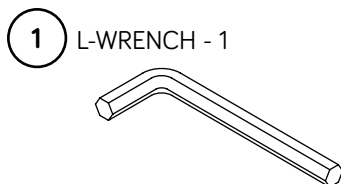
Use this part identification to help identify the parts.

|   |           |
|---|-----------|
| A | TOP (1)   |
| B | LEG (4)   |
| C | SHELF (1) |



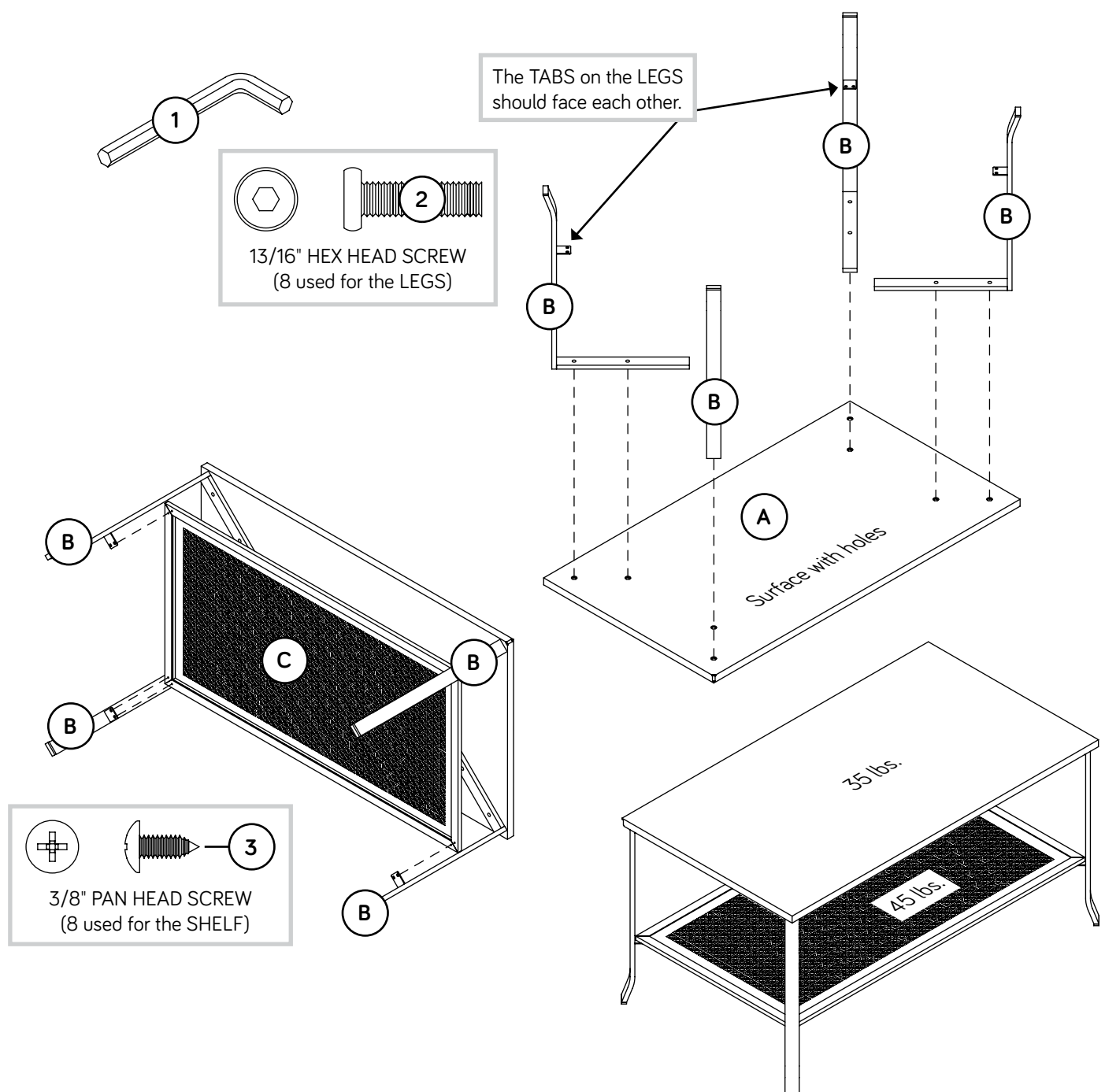
## Hardware Identification

Screws are shown actual size. You may receive extra hardware with your unit.



# Step 1

- ✦ Assemble your unit on a carpeted floor or on the empty carton to avoid scratching your unit or the floor.
- ✦ **NOTE:** Do not completely tighten the SCREWS until the end of this step.
- ✦ Fasten the LEGS (B) to the TOP (A). Tighten eight 13/16" HEX HEAD SCREWS (2) using the L-WRENCH (1).
- ✦ Fasten the SHELF (C) to the TABS on the LEGS (B). Use eight 3/8" PAN HEAD SCREWS (3).
- ✦ **NOTE:** You should start each SCREW a few turns to help line up the holes.
- ✦ Completely tighten all of the SCREWS and stand your unit upright.
- ✦ **NOTE:** Please read the back pages of the instruction booklet for important safety information.
- ✦ This completes assembly. Clean with a damp cloth. Wipe dry.



**⚠ WARNING**

Please use your furniture correctly and safely. Improper use can cause safety hazards, or damage to your furniture or household items. ***Carefully read the following chart.***

| Look out for:                                                                                                                                | What can happen:                                                                                                                                                                                              | How to avoid the problem:                                                                                                                                                                                         |
|----------------------------------------------------------------------------------------------------------------------------------------------|---------------------------------------------------------------------------------------------------------------------------------------------------------------------------------------------------------------|-------------------------------------------------------------------------------------------------------------------------------------------------------------------------------------------------------------------|
| <ul style="list-style-type: none"><li>• Overloaded shelves.</li></ul>                                                                        | <ul style="list-style-type: none"><li>• Risk of injury.</li><li>• Top-heavy furniture can tip over.</li><li>• Overloaded shelves can break.</li></ul>                                                         | <ul style="list-style-type: none"><li>• Never exceed the weight limits shown in the instructions.</li><li>• Work from bottom to top when loading shelves. Place the heavier items on the lower shelves.</li></ul> |
| <ul style="list-style-type: none"><li>• Placing TVs on furniture items that are not designed to support a television is hazardous.</li></ul> | <ul style="list-style-type: none"><li>• Risk of injury or death. TVs can be very heavy. Plus the weight and location of the picture tube tends to make TVs unbalanced and prone to tipping forward.</li></ul> | <ul style="list-style-type: none"><li>• This product is not designed to support a television.</li></ul>                                                                                                           |